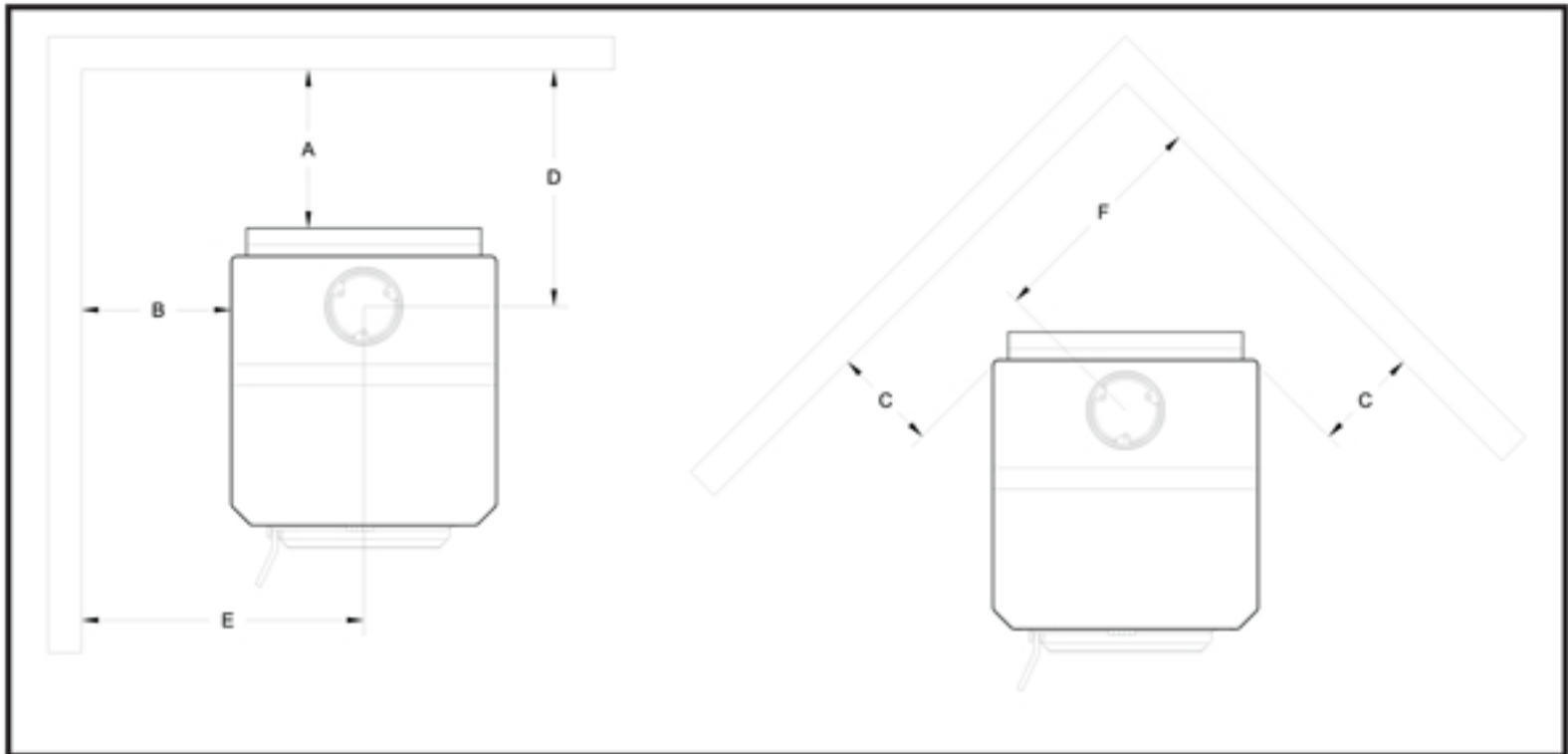


2015 Clearance to Combustibles

It is of utmost importance that the clearances to combustible materials be strictly adhered to during installation of the stove. Refer to the tables below :



Single pipe / Double pipe						
Key	A	B	C	D	E	F
Inches	7/6	23/24	16/17	13.7/12.7	34.9/35.9	27.9/28.9
Metric (mm)	178/152	584/610	406/432	348/323	886/912	709/734

- Floor to ceiling height must be at least 7ft (2.13m) in all cases.
- The clearance between the flue pipe and a wall are valid only for vertical walls and for vertical flue pipe.
- The chimney connector shall not pass through an attic or roof space, closet or similar concealed space, or a floor, or ceiling.
- A flue pipe crossing a combustible wall must have a minimum clearance of 18"(457mm).
- To reduce flue clearances from combustible materials, contact your local safety department.