

PRODUCT SPECIFICATIONS

# KSTDV Covington Clear View See-Thru DV Fireplace System



### FRAMING DIMENSIONS

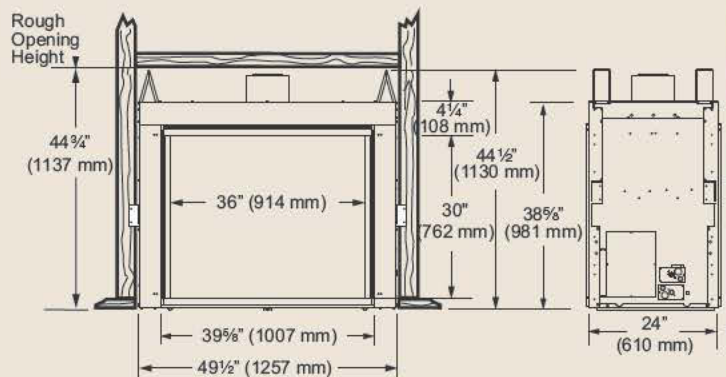
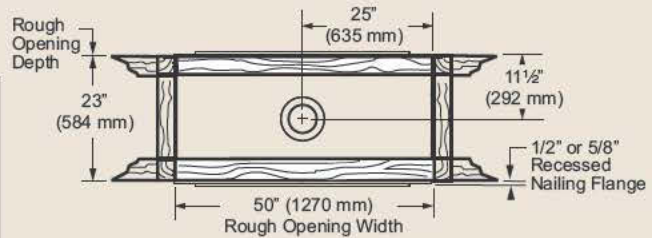
Width: 50"  
 Height: 44-3/4"  
 Depth: 23"

### TECHNICAL INFORMATION

Clear-View ceramic glass: viewing area of 2160 square inches (both sides)  
 BTU Rating: 56,000  
 Fuel Type: NG or LP  
 Top venting only with 5x8 direct vent pipe  
 Total Signature Command Control (TSC) with full function TSFSC hand held remote control included  
 Fit chases with 24" depth  
 Accent light provided standard with manual control dimmer  
 CSA Design Certified

### FIELD INSTALLED ACCESSORIES

Stainless steel outdoor Glass Facing Kit (install before framing)  
 Three styles of firebrick to choose from (one required)  
 Decorative arched doors with hand forged designer inlays  
 Two optional andirons designs  
 Variable remote controlled forced air blower: BLOTSTSC (2 needed if forced air out both sides is required)  
 Field Fuel Conversion Kits  
 15' Command Center Wall Mount Extension Wire



A Brand of Monessen Hearth Systems Co.  
 149 Cleveland Drive, Paris, Kentucky 40361

[www.monessenhearth.com](http://www.monessenhearth.com)



To avoid personal injury or property damage, the product described by this brochure must be installed, operated and maintained in strict compliance with the instructions packaged with the product and all applicable building or fire codes. Contact local building or fire officials about restrictions and installation inspection requirements. All photographs and drawings on this brochure are for illustrative purposes only and are not intended for, nor should they be used as a substitute for the instructions packaged with the unit. Appearance and specifications of the product are subject to change without notice. © 2010 Monessen Hearth Systems Co.