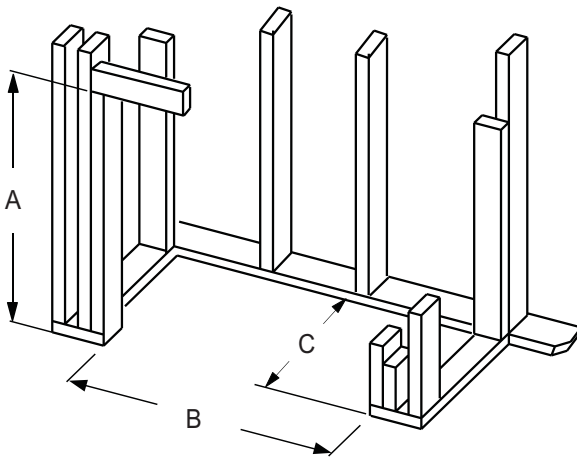


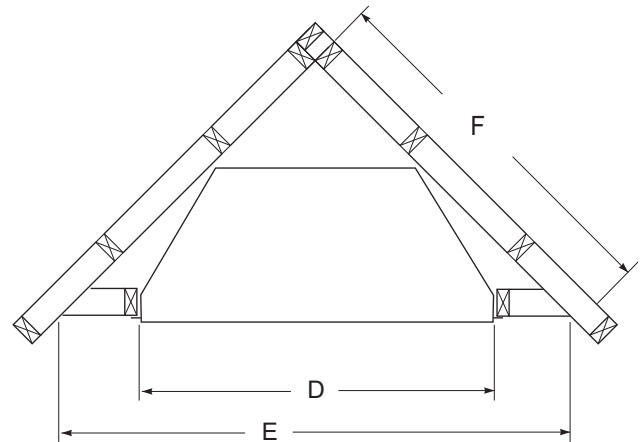
VRT4036 AND VRT4042 SERIES

VENT-FREE UNIVERSAL TALL OPENING FIREBOX

Framing Dimensions

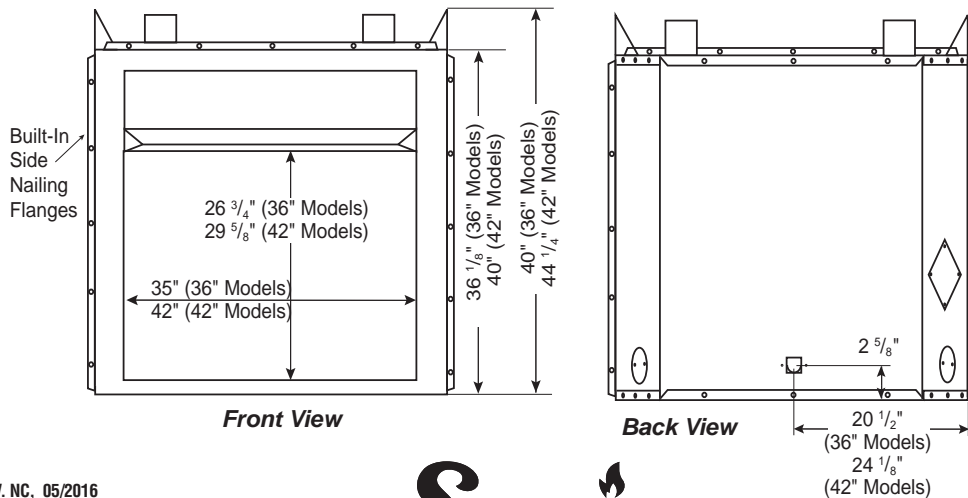
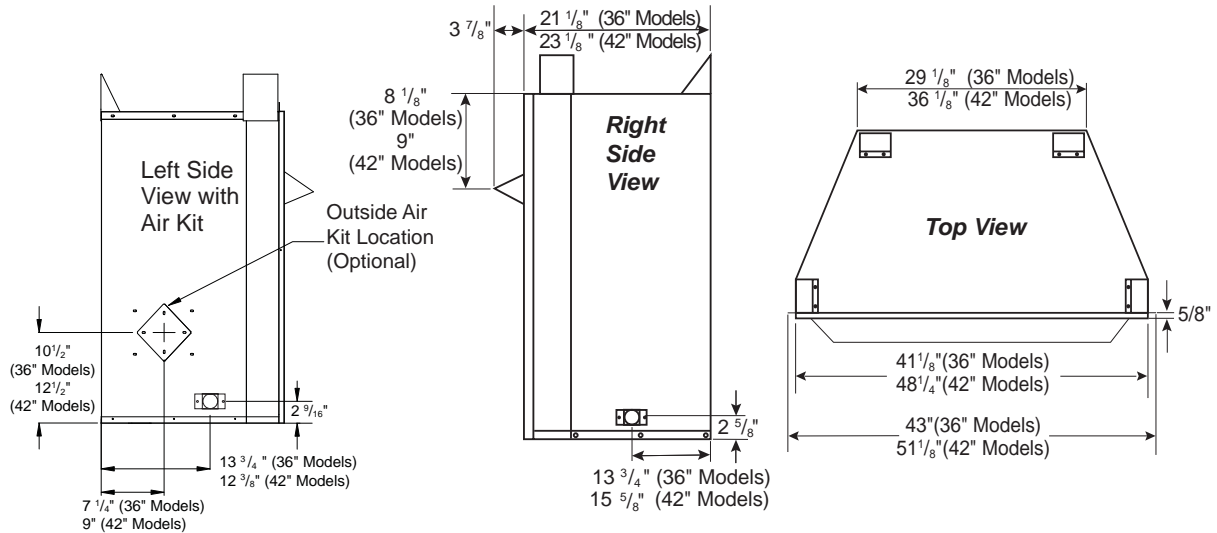


Models	A	B	C
36" Models	40-1/2" 1029 mm	42-1/2" 1080 mm	20-3/4" 527 mm
42" Models	44-1/2" 1130 mm	49-5/8" 1083 mm	22-5/8" 575 mm



Models	D	E	F
36" Models	42-1/2" 1080 mm	74" 1880 mm	52" 1321 mm
42" Models	49-5/8" 1083 mm	86" 2185 mm	61" 1550 mm

Fireplace Dimensions



VRT4036 AND VRT4042 SERIES

Product Information

Cat. No.	Model	Interior	Weight	Cu. Ft.
F0288	VRT4036WS	White Stacked Brick	184 lb.	24.0
F0289	VRT4036WH	White Herringbone	184 lb.	24.0
F0294	VRT4036RS	Red Stacked Brick	184 lb.	24.0
F0295	VRT4036RH	Red Herringbone	184 lb.	24.0
F0290	VRT4042WS	White Stacked Brick	224 lb.	34.0
F0291	VRT4042WH	White Herringbone	224 lb.	34.0
F0296	VRT4042RS	Red Stacked Brick	224 lb.	34.0
F0297	VRT4042RH	Red Herringbone	224 lb.	34.0

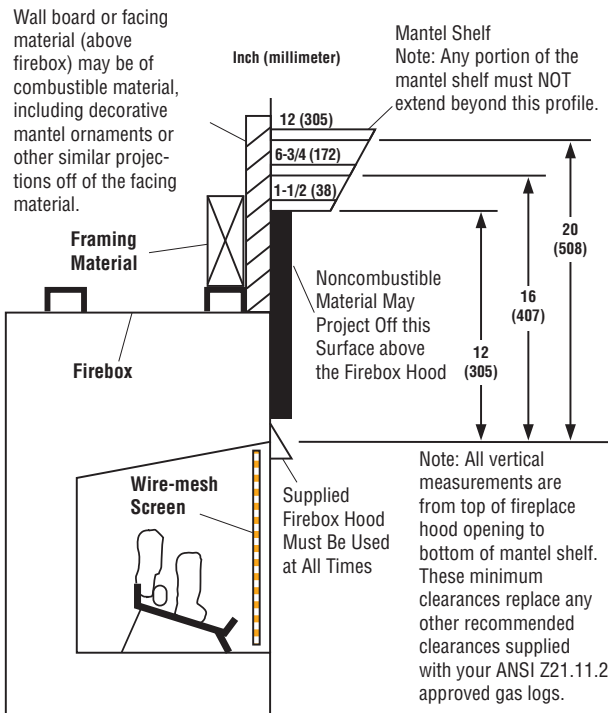
Listing Information



Report No. F09-130

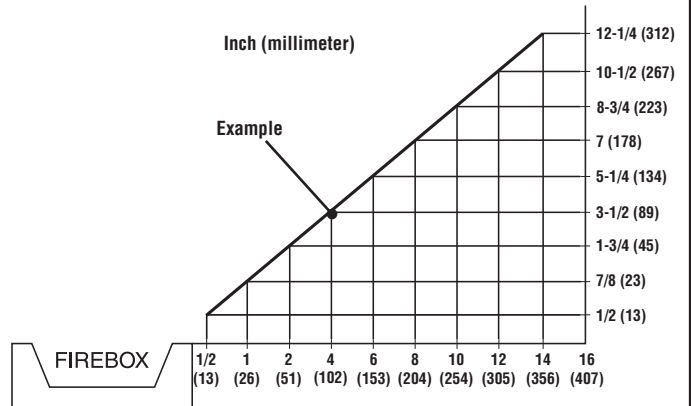
These appliances comply with National Safety Standards and are listed by PFS Corporation to ANSI Z21.91 Ventless Firebox Enclosures for Gas-Fired Unvented Decorative Room Heaters and is approved for use with appliances listed to ANSI Z21.11.2 decorative type unvented room heaters.

Clearances

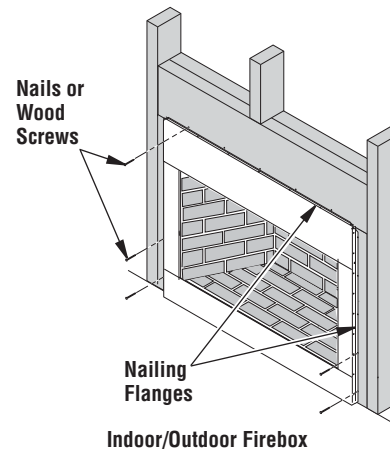
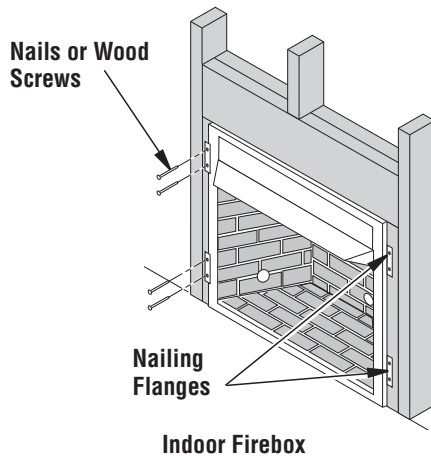


Minimum Wall and Ceiling Clearances (see figure below)

- Clearances from the side of the firebox cabinet to any combustible material and wall should follow diagram shown here.
Example: The face of a mantel, bookshelf, etc. is made of combustible material and protrudes 3-1/2" from the wall. This combustible material must be 4" from the side of the firebox cabinet.
- Clearances from the top of the firebox opening to the ceiling should not be less than 42".
- When the firebox is installed directly on carpeting, vinyl tile or other combustible material, other than wood flooring, the firebox should be installed on a metal or wood panel extending the full width and depth of the enclosure.
- Clearances from the bottom of firebox to the floor is 0".



Nailing Flanges



NOTE: DIAGRAMS & ILLUSTRATIONS ARE NOT TO SCALE.

Printed in U.S.A. © 2016 Innovative Hearth Products
P/N 900722-01 REV. NC 05/2016



Specifications and clearances are subject to change without notice. Refer to Installation Manual before installation of these appliances for updated dimensions and instructions.