



Exceeding Expectations
by Design

Direct Vent Gas Fireplaces Indoor



Rumford Premium Luxury Series



Traditional Series



Standard Luxury Series



Performance Luxury Series



Multi-View Series

Traditional Series

After 20 years of design and technological improvements, gas fireplaces of even just a few years ago pale in comparison to those being designed today. In a few more years, the same will be true when looking at today's models.



Traditional Series 36" Standard "Upgradeable" Fireplace.



Traditional Series 36" Standard "Non Upgradeable" Fireplace.

To address this issue, Vantage Hearth's *Traditional Series* fireplaces include both upgradeable models featuring our VersaFire® Technology and non upgradeable models. Upgradeable models are future proof because the burner / log module can be upgraded as technology improves over the years. So, when performance or appearance make your fireplace obsolete or you just want to change the look, the *Traditional Series* upgradeable fireplace can be brought up to speed simply and inexpensively.

Easy Installation



The *Standard*, *Performance* and *Premium* burner designs are all sized to fit the mounting recess in the common fireplace chassis.



The burner is easily secured to the hearth floor with a series of perimeter screws.



The fully unitized log set is then placed snugly over the burner. The system is just as easily removed and replaced with a new burner and log set.

Fireplaces

Indoor Direct Vent Gas Fireplaces



Standard

Vantage Hearth's *Standard* fireplace system leads the way in the direct vent category of our exciting Traditional Series with campfire style logs, a beautiful glowing ember bed, and glowing highlights. The *Standard* is an exceptional system with an impressive flame presentation and is the ideal match for today's energy-efficient homes. Available in Louvered and Clean Face versions.

Performance

The *Performance* is the centerpiece of our Traditional Series and features random split oak logs and remnants with exquisite detail and glow. Note the random multi-tiered flame pattern and realistic glowing ember bed burner... plus real woodburning log grate with andiron enhancers.



Premium

Fully loaded and truly impressive, Vantage Hearth's *Premium* is the flagship product of our Traditional Series, and sets tough new standards for any gas fireplace. The innovative *Premium* captures all the latest visual and functional technologies, features and conveniences available. *Premium* models feature beautiful cast iron grate treatments and andirons.



Flex gas connector, shut-off valve and pre-wired "J" box are all standard.

Traditional Series

Upgradeable Fireplace Chassis

The *Traditional Series* Upgradeable Fireplace Chassis (shown right) features a toolless hinged door and utilizes the VersaFire® Technology to allow use of any standard, performance, or premium burner /log module.



Standard Module

The *Standard* burner/log module (shown left) features split oak ceramic fiber logs in a campfire style arrangement.



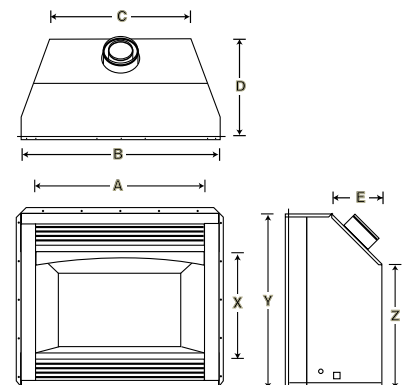
Performance Module

The *Performance* burner/log module (shown right) includes split oak ceramic fiber logs and burnt down remnants with a random look.



Premium Module

The *Premium* burner/log module (shown left) features massive split oak ceramic fiber logs in a mature fire presentation with deep glowing coals and embers.



Fireplace Dimensions

MODEL #	A	B	C	D	E	X	Y	Z
32" Non & Upgradeable Fireplace	29 3/8"	34 1/2"	22 1/2"	16 5/8"	9 1/2"	18 3/8"	32 1/4"	22 3/4"
36" Non Upgradeable Fireplace	29 3/4"	36 1/4"	25 1/4"	14 3/4"	-	19 1/2"	36 3/4"	-
36" Upgradeable Fireplace	35"	41"	29"	21 1/8"	10 3/8"	21 3/4"	36"	25 1/2"
42" Upgradeable Fireplace	42"	48"	36"	23 1/8"	10 3/8"	25 3/4"	40"	29 1/2"

Note: Dimensions in this catalog are approximate. For accurate dimensions, refer to the installation instructions.

Fireplaces

Indoor Direct Vent Gas Fireplaces

Traditional Series Indoor Direct Vent Gas Fireplaces (Standard, Performance & Premium)						
MODEL #	DESCRIPTION	STYLE	BTU CAPACITY	CONTROL	FUEL	WEIGHT
Standard (Non Upgradeable)						
VT32NA1/PA1	32" Direct Vent Gas Fireplace, Black Interior	Stamped Louver	18,000/17,000	Millivolt	Natural/LP	80.0 lbs.
VTC32NA1/PA1	32" Direct Vent Gas Fireplace, Black Interior	Clean Face	18,000/17,000	Millivolt	Natural/LP	80.0 lbs.
VT32NRA1/PRA1	32" Direct Vent Gas Fireplace, Black Interior	Rolled Louver	18,000/17,000	Millivolt	Natural/LP	80.0 lbs.
VT32NBA1/PBA1	32" Direct Vent Gas Fireplace, Brick Liners	Stamped Louver	18,000/17,000	Millivolt	Natural/LP	125.0 lbs.
VTC32NBA1/PBA1	32" Direct Vent Gas Fireplace, Brick Liners	Clean Face	18,000/17,000	Millivolt	Natural/LP	125.0 lbs.
VT32NRBA1/PBA1	32" Direct Vent Gas Fireplace, Brick Liners	Rolled Louver	18,000/17,000	Millivolt	Natural/LP	125.0 lbs.
VCD36RN/RP	36" Direct Vent Gas Fireplace, Rear Vent	Louver	21,000/20,000	Millivolt	Natural/LP	120.0 lbs.
VDC36RN/RP	36" Direct Vent Gas Fireplace, Rear Vent	Clean Face	21,000/20,000	Millivolt	Natural/LP	120.0 lbs.
VCD36TN/TP	36" Direct Vent Gas Fireplace, Top Vent	Louver	21,000/20,000	Millivolt	Natural/LP	120.0 lbs.
VDC36TN/TP	36" Direct Vent Gas Fireplace, Top Vent	Clean Face	21,000/20,000	Millivolt	Natural/LP	120.0 lbs.
VersaFire Standard (Upgradeable)						
VTC36N1/P1	36" Direct Vent Gas Fireplace, Black Interior	Rolled Louver	22,000/20,000	Millivolt	Natural/LP	120.0 lbs.
VTCC36N1/P1	36" Direct Vent Gas Fireplace, Black Interior	Clean Face	22,000/20,000	Millivolt	Natural/LP	120.0 lbs.
VTC36NB1/PB1	36" Direct Vent Gas Fireplace, Brick Liners	Rolled Louver	22,000/20,000	Millivolt	Natural/LP	175.0 lbs.
VTCC36NB1/PB1	36" Direct Vent Gas Fireplace, Brick Liners	Clean Face	22,000/20,000	Millivolt	Natural/LP	175.0 lbs.
VersaFire Performance (Upgradeable)						
WVC36N1/P1	36" Direct Vent Gas Fireplace, Black Interior	Rolled Louver	32,000/28,000	Millivolt	Natural/LP	120.0 lbs.
WVCC36N1/P1	36" Direct Vent Gas Fireplace, Black Interior	Clean Face	32,000/28,000	Millivolt	Natural/LP	120.0 lbs.
WVC36NB1/PB1	36" Direct Vent Gas Fireplace, Stacked Brick Liners	Rolled Louver	32,000/28,000	Millivolt	Natural/LP	175.0 lbs.
WVCC36NB1/PB1	36" Direct Vent Gas Fireplace, Stacked Brick Liners	Clean Face	32,000/28,000	Millivolt	Natural/LP	175.0 lbs.
WVC36NH1/PH1	36" Direct Vent Gas Fireplace, Herringbone Brick Liners	Rolled Louver	32,000/28,000	Millivolt	Natural/LP	175.0 lbs.
WVCC36NH1/PH1	36" Direct Vent Gas Fireplace, Herringbone Brick Liners	Clean Face	32,000/28,000	Millivolt	Natural/LP	175.0 lbs.
WVC42N1/P1	42" Direct Vent Gas Fireplace, Black Interior	Rolled Louver	36,000/33,000	Millivolt	Natural/LP	145.0 lbs.
WVCC42N1/P1	42" Direct Vent Gas Fireplace, Black Interior	Clean Face	36,000/33,000	Millivolt	Natural/LP	145.0 lbs.
WVC42NB1/PB1	42" Direct Vent Gas Fireplace, Stacked Brick Liners	Rolled Louver	36,000/33,000	Millivolt	Natural/LP	215.0 lbs.
WVCC42NB1/PB1	42" Direct Vent Gas Fireplace, Stacked Brick Liners	Clean Face	36,000/33,000	Millivolt	Natural/LP	215.0 lbs.
WVC42NH1/PH1	42" Direct Vent Gas Fireplace, Herringbone Brick Liners	Rolled Louver	36,000/33,000	Millivolt	Natural/LP	215.0 lbs.
WVCC42NH1/PH1	42" Direct Vent Gas Fireplace, Herringbone Brick Liners	Clean Face	36,000/33,000	Millivolt	Natural/LP	215.0 lbs.
VersaFire Premium (Upgradeable)						
VKC36N1/P1	36" Direct Vent Gas Fireplace, Stacked Brick Liners	Rolled Louver	33,000/31,000	Millivolt	Natural/LP	175.0 lbs.
VKCC36N1/P1	36" Direct Vent Gas Fireplace, Stacked Brick Liners	Clean Face	33,000/31,000	Millivolt	Natural/LP	175.0 lbs.
VKC36NH1/PH1	36" Direct Vent Gas Fireplace, Herringbone Brick Liners	Rolled Louver	33,000/31,000	Millivolt	Natural/LP	175.0 lbs.
VKCC36NH1/PH1	36" Direct Vent Gas Fireplace, Herringbone Brick Liners	Clean Face	33,000/31,000	Millivolt	Natural/LP	175.0 lbs.
VKC42N1/P1	42" Direct Vent Gas Fireplace, Stacked Brick Liners	Rolled Louver	38,000/36,000	Millivolt	Natural/LP	215.0 lbs.
VKCC42N1/P1	42" Direct Vent Gas Fireplace, Stacked Brick Liners	Clean Face	38,000/36,000	Millivolt	Natural/LP	215.0 lbs.
VKC42NH1/PH1	42" Direct Vent Gas Fireplace, Herringbone Brick Liners	Rolled Louver	38,000/36,000	Millivolt	Natural/LP	215.0 lbs.
VKCC42NH1/PH1	42" Direct Vent Gas Fireplace, Herringbone Brick Liners	Clean Face	38,000/36,000	Millivolt	Natural/LP	215.0 lbs.
Traditional Series Upgradeable Chassis & Burner / Log Modules						
MODEL #	DESCRIPTION		BTU CAPACITY	CONTROL	FUEL	WEIGHT
Fireplace Chassis						
VDVC36	36" Fireplace Chassis, Black Interior		-	-	-	95.0 lbs.
VDVC36B	36" Fireplace Chassis, Stacked Brick Liner		-	-	-	145.0 lbs.
VDVC36H	36" Fireplace Chassis, Herringbone Brick Liner		-	-	-	145.0 lbs.
VDVC42	42" Fireplace Chassis, Black Interior		-	-	-	140.0 lbs.
VDVC42B	42" Fireplace Chassis, Stacked Brick Liner		-	-	-	195.0 lbs.
VDVC42H	42" Fireplace Chassis, Herringbone Brick Liner		-	-	-	195.0 lbs.
VersaFire Upgradeable Burner & Log Modules						
DVM36TN/P	36" Standard Direct Vent Burner & Log Module		22,000/20,000	Millivolt	Natural/LP	60.0 lbs.
DVM36TNE/TPE	36" Standard Direct Vent Burner & Log Module		22,000/20,000	Electronic	Natural/LP	60.0 lbs.
DVM36VN/P	36" Performance Direct Vent Burner & Log Module		32,000/28,000	Millivolt	Natural/LP	70.0 lbs.
DVM36TNE/TPE	36" Performance Direct Vent Burner & Log Module		32,000/28,000	Electronic	Natural/LP	70.0 lbs.
DVM42VN/P	42" Performance Direct Vent Burner & Log Module		36,000/33,000	Millivolt	Natural/LP	76.0 lbs.
DVM42VNE/VPE	42" Performance Direct Vent Burner & Log Module		36,000/33,000	Electronic	Natural/LP	76.0 lbs.
DVM36KN/P	36" Premium Direct Vent Burner & Log Module		33,000/31,000	Millivolt	Natural/LP	85.0 lbs.
DVM36KNE/KPE	36" Premium Direct Vent Burner & Log Module		33,000/31,000	Electronic	Natural/LP	85.0 lbs.
DVM42KN/KP	42" Premium Direct Vent Burner & Log Module		38,000/36,000	Millivolt	Natural/LP	95.0 lbs.
DVM42KNE/KPE	42" Premium Direct Vent Burner & Log Module		38,000/36,000	Electronic	Natural/LP	95.0 lbs.

High Altitude models also available. Uses standard 5"/8" direct vent pipe. Accessories on page 12.

Luxury Series

Stratos Standard

Vantage Hearth's Luxury Series *Standard* is a clear departure from typical direct vent gas fireplaces. Although most direct vents include an excess of visible sheet metal and louvers, every effort was exhausted to make this system look like a real wood burning fireplace with a clean face front.

The combination ceramic ember bed/ steel tube burner system creates lively, colorful flame patterns and a deep smoldering glow only a real wood fire could match. 36" & 42" models provide a dramatic flame picture being enhanced by the industry's finest refractory natural white brick liners for incomparable masonry realism.

Quality & Features

The *Standard* features a fully electronic ignition and control system with battery back-up for safe reliability, even in power outages. The system can be operated from a wall switch or the convenient remote control included.

Convenient & Solid Installation

The top, direct vent configuration of the *Standard* provides a wide variety of convenient venting options using our 5" / 8" coaxial chimney system. The solid steel chassis face includes heavy, continuous nailing flanges and drywall stops around the face frame for solid installation, and includes a tough, textured powder coat finish.

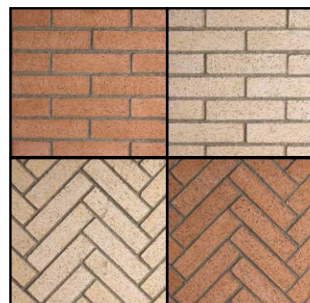


The *Luxury Series Performance* brick surround kit is a "must have" accessory. Available in warm red & ivory.



Performance

Fully loaded and impressive, Vantage Hearth's *Performance* from the *Luxury Series* combines all the advantages of the *Standard* line to capture the latest visual and functional technologies. The *Performance* includes several features to make this fireplace truly unique. A ceramic glass front provides higher strength and durability compared to traditional glass, a higher heat output provides more robust flames while heating a larger area, last but not least, a choice of either ivory or red brick refractory brick panels in both stacked & herringbone patterns or ledgerstone brick.



Luxury Series Performance fireplaces come with either Warm Red or Ivory brick in stacked or herringbone patterns.



Shown with log stack and variable flame burner and concealed control system combined with ledgerstone brick liners.

Fireplaces

Indoor Direct-Vent Gas Fireplaces

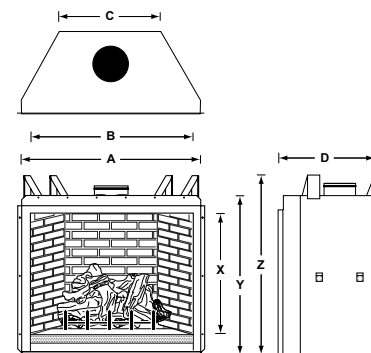
Luxury Series Direct Vent Gas Fireplaces (Standard & Performance)				
MODEL #	DESCRIPTION	BTU CAPACITY	FUEL	WEIGHT
Stratos Standard				
VDVF36NS	36" Fireplace with log set, grate, firescreens & white stacked refractory brick panels	33,500	Natural	234.0 lbs.
VDVF36PS	36" Fireplace with log set, grate, firescreens & white stacked refractory brick panels	31,000	Propane	234.0 lbs.
VDVF36NH	36" Fireplace with log set, grate, firescreens & white herringbone refractory brick panels	33,500	Natural	234.0 lbs.
VDVF36PH	36" Fireplace with log set, grate, firescreens & white herringbone refractory brick panels	31,000	Propane	234.0 lbs.
VDVF42NS	42" Fireplace with log set, grate, firescreens & white stacked refractory brick panels	41,000	Natural	328.0 lbs.
VDVF42PS	42" Fireplace with log set, grate, firescreens & white stacked refractory brick panels	37,000	Propane	328.0 lbs.
VDVF42NH	42" Fireplace with log set, grate, firescreens & white herringbone refractory brick panels	41,000	Natural	328.0 lbs.
VDVF42PH	42" Fireplace with log set, grate, firescreens & white herringbone refractory brick panels	37,000	Propane	328.0 lbs.
Performance				
DVF-36NS-D	36" Fireplace with log set, grate, firescreens, ceramic glass & ivory stacked refractory brick panels	30,000 to 49,000	Natural	234.0 lbs.
DVF-36PS-D	36" Fireplace with log set, grate, firescreens, ceramic glass & ivory stacked refractory brick panels	28,000 to 47,000	Propane	234.0 lbs.
DVF-36NH-D	36" Fireplace with log set, grate, firescreens, ceramic glass & ivory herringbone refractory brick panels	30,000 to 49,000	Natural	234.0 lbs.
DVF-36PH-D	36" Fireplace with log set, grate, firescreens, ceramic glass & ivory herringbone refractory brick panels	28,000 to 47,000	Propane	234.0 lbs.
DVF-36NSR-D	36" Fireplace with log set, grate, firescreens, ceramic glass & warm red stacked refractory brick panels	30,000 to 49,000	Natural	234.0 lbs.
DVF-36PSR-D	36" Fireplace with log set, grate, firescreens, ceramic glass & warm red stacked refractory brick panels	28,000 to 47,000	Propane	234.0 lbs.
DVF-36NHR-D	36" Fireplace with log set, grate, firescreens, ceramic glass & warm red herringbone refractory brick panels	30,000 to 49,000	Natural	234.0 lbs.
DVF-36PHR-D	36" Fireplace with log set, grate, firescreens, ceramic glass & warm red herringbone refractory brick panels	28,000 to 47,000	Propane	234.0 lbs.
DVF-36NLT-D	36" Fireplace with log set, grate, firescreens, ceramic glass & ledgerstone brick panels	30,000 to 49,000	Natural	234.0 lbs.
DVF-36PLT-D	36" Fireplace with log set, grate, firescreens, ceramic glass & ledgerstone brick panels	28,000 to 47,000	Propane	234.0 lbs.
DVF-42NS-D	42" Fireplace with log set, grate, firescreens, ceramic glass & ivory stacked refractory brick panels	33,000 to 59,000	Natural	328.0 lbs.
DVF-42PS-D	42" Fireplace with log set, grate, firescreens, ceramic glass & ivory stacked refractory brick panels	28,000 to 53,000	Propane	328.0 lbs.
DVF-42NH-D	42" Fireplace with log set, grate, firescreens, ceramic glass & ivory herringbone refractory brick panels	33,000 to 59,000	Natural	328.0 lbs.
DVF-42PH-D	42" Fireplace with log set, grate, firescreens, ceramic glass & ivory herringbone refractory brick panels	28,000 to 53,000	Propane	328.0 lbs.
DVF-42NSR-D	42" Fireplace with log set, grate, firescreens, ceramic glass & warm red stacked refractory brick panels	33,000 to 59,000	Natural	328.0 lbs.
DVF-42PSR-D	42" Fireplace with log set, grate, firescreens, ceramic glass & warm red stacked refractory brick panels	28,000 to 53,000	Propane	328.0 lbs.
DVF-42NHR-D	42" Fireplace with log set, grate, firescreens, ceramic glass & warm red herringbone refractory brick panels	33,000 to 59,000	Natural	328.0 lbs.
DVF-42PHR-D	42" Fireplace with log set, grate, firescreens, ceramic glass & warm red herringbone refractory brick panels	28,000 to 53,000	Propane	328.0 lbs.
DVF-42NLT-D	42" Fireplace with log set, grate, firescreens, ceramic glass & ledgerstone brick panels	33,000 to 59,000	Natural	328.0 lbs.
DVF-42PLT-D	42" Fireplace with log set, grate, firescreens, ceramic glass & ledgerstone brick panels	28,000 to 53,000	Propane	328.0 lbs.

Uses standard 5 7/8" direct vent pipe. Accessories on page 12.

Fireplace Dimensions

MODEL #	A	B	C	D	X	Y	Z
36" Standard	41"	35"	29"	21"	31"	38 7/8"	43"
42" Standard	48 1/4"	42"	34 3/4"	25"	35"	42 7/8"	47"
36" Performance	41"	35"	29"	21"	31"	38 7/8"	43"
42" Performance	48 1/4"	42"	34 3/4"	25"	35"	42 7/8"	47"

Note: Dimensions in this catalog are approximate. For accurate dimensions, refer to the installation instructions.



Indoor Direct Vent Gas Fireplaces

Luxury Series

Rumford Premium

The first impression you'll have of the *Premium* is that it's tall. Really tall. In fact, at 47" (44" glass size) it's the tallest of any certified fireplace in the industry; wood or gas burning. And the tall, clean faced, slant back design and flush to the floor platform are certainly welcome features to anybody familiar with real traditional site-built masonry fireplaces.

The new adjustable flame, low profile, ramp-style ember burner creates lively, natural flame patterns and a deep smoldering glow that only a real wood fire could match.

A second hidden tube burner creates hypnotic, colorful flames that consume the massive log stack in fire.



The industry's finest refractory concrete brick panels are available in 2 colors; Warm Red & Ivory, as well as 2 brick patterns; stacked and herringbone.

Cool Touch

At 66,000 maximum BTU, with thermal ceramic glass, the *Premium* are capable of producing tremendous amounts of heat. And while this is terrific in Minnesota, it may not be quite as comfortable in Arizona; even on lower heat settings.

For those who want to experience the beautiful presence and flame picture of the *Premium* without all that heat, we offer our "Cool Touch" version. With its additional two layers of glass, heat is channeled through the fireplace chassis and out the chimney rather than directed into the room like the "Radiant" version. And the exposed glass surface remains cool to the touch.



Features & Performance

The taller the direct vent fireplace, the harder it is to give it a nice, large flame picture. The *Premium* features a unique outside combustion air supply system that directly supplies the flame via a separate, cold air flex duct. This gives the fireplace its warm yellow flame color and lazy action, while eliminating performance problems at altitude, or in difficult weather conditions.

The *Premium* features a new adjustable flame gas control with 50% turn down capability and fully electronic ignition and operation. It can be controlled using the included remote control, wall switch or thermostat. The sealed combustion firebox uses full coverage ceramic glass for the absolute highest quality. The exquisite "split" brick liners are individually hand detailed to enhance the fireplace's uncanny wood burning realism. True, hand-forged andirons and decorative chain-mesh pull screens complete the luxurious masonry look and feel.



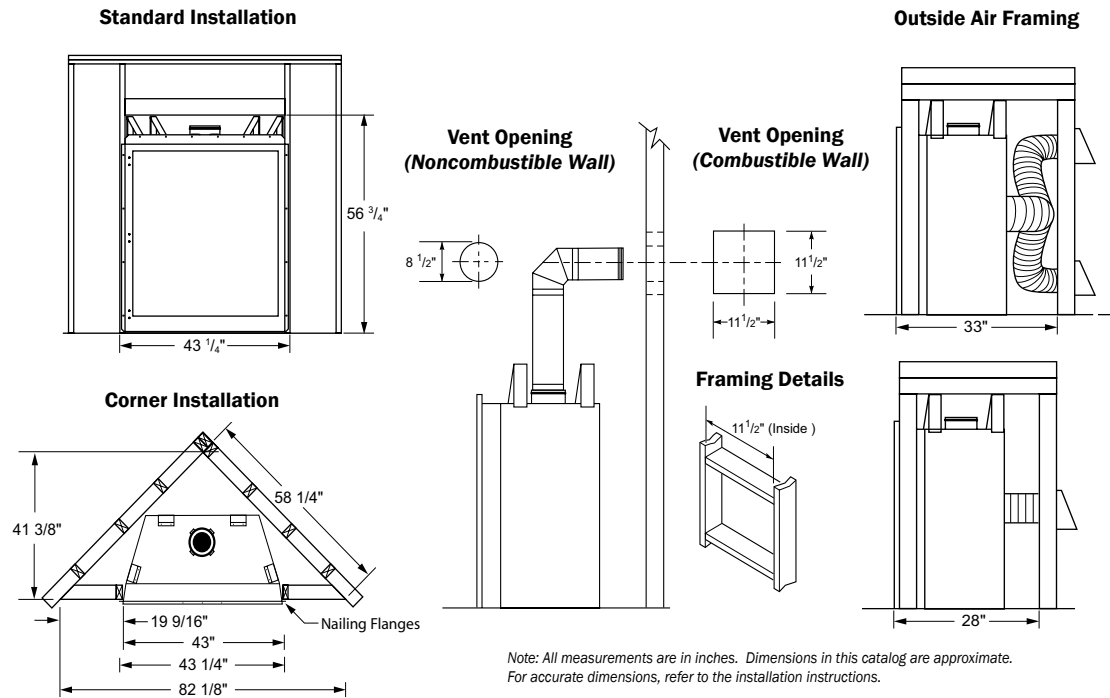
The *Premium* features true, hand-forged andirons and hidden gas controls to provide the most accurate representation of a real wood fire.

Fireplaces

Indoor Direct Vent Gas Fireplaces

Luxury Series Direct Vent Gas Fireplaces (Premium)				
MODEL #	DESCRIPTION	BTU CAPACITY	FUEL	WEIGHT
Rumford Premium				
DVF-36NSI-C	36" Fireplace with gas log set, ceramic glass & ivory stacked refractory brick panels	38,000 to 66,000	Natural	493.0 lbs.
DVF-36PSI-C	36" Fireplace with gas log set, ceramic glass & ivory stacked refractory brick panels	34,000 to 62,000	Propane	493.0 lbs.
DVF-36NHI-C	36" Fireplace with gas log set, ceramic glass & ivory herringbone refractory brick panels	38,000 to 66,000	Natural	493.0 lbs.
DVF-36PHI-C	36" Fireplace with gas log set, ceramic glass & ivory herringbone refractory brick panels	34,000 to 62,000	Propane	493.0 lbs.
DVF-36NSI-CC	36" Fireplace with gas log set, cool touch ceramic glass & ivory stacked refractory brick panels	38,000 to 66,000	Natural	557.0 lbs.
DVF-36PSI-CC	36" Fireplace with gas log set, cool touch ceramic glass & ivory stacked refractory brick panels	34,000 to 62,000	Propane	557.0 lbs.
DVF-36NHI-CC	36" Fireplace with gas log set, cool touch ceramic glass & ivory herringbone refractory brick panels	38,000 to 66,000	Natural	557.0 lbs.
DVF-36PHI-CC	36" Fireplace with gas log set, cool touch ceramic glass & ivory herringbone refractory brick panels	34,000 to 62,000	Propane	557.0 lbs.
DVF-36NSR-C	36" Fireplace with gas log set, ceramic glass & warm red stacked refractory brick panels	38,000 to 66,000	Natural	493.0 lbs.
DVF-36PSR-C	36" Fireplace with gas log set, ceramic glass & warm red stacked refractory brick panels	34,000 to 62,000	Propane	493.0 lbs.
DVF-36NHR-C	36" Fireplace with gas log set, ceramic glass & warm red herringbone refractory brick panels	38,000 to 66,000	Natural	493.0 lbs.
DVF-36PHR-C	36" Fireplace with gas log set, ceramic glass & warm red herringbone refractory brick panels	34,000 to 62,000	Propane	493.0 lbs.
DVF-36NSR-CC	36" Fireplace with gas log set, cool touch ceramic glass & warm red stacked refractory brick panels	38,000 to 66,000	Natural	557.0 lbs.
DVF-36PSR-CC	36" Fireplace with gas log set, cool touch ceramic glass & warm red stacked refractory brick panels	34,000 to 62,000	Propane	557.0 lbs.
DVF-36NHR-CC	36" Fireplace with gas log set, cool touch ceramic glass & warm red herringbone refractory brick panels	38,000 to 66,000	Natural	557.0 lbs.
DVF-36PHR-CC	36" Fireplace with gas log set, cool touch ceramic glass & warm red herringbone refractory brick panels	34,000 to 62,000	Propane	557.0 lbs.

Uses standard 5 1/8" direct vent pipe. Accessories on page 12.



Multi-view Series

Corner

Vantage Hearth's *Corner* is the perfect space saver model. These units, available in both left and right facing fireplaces, will blend into any open cornered wall or can be incorporated into room dividers. These unique designs offer a full 180° fireplace viewing area.

The 36" *Corner* features the tool-less entry hinged glass door design and comes standard with full refractory brick liner, ceramic fiber round oak log set, and flex gas line with shut-off valve. Piezo ignition and adjustable flame control on millivolt models only.



Peninsula

Vantage Hearth's *Peninsula* is a perfect match for a custom home or office. This model is equally beautiful when viewed from any of the three open sides.

The 36" *Peninsula* features the tool-less entry hinged glass door design and comes standard with full refractory brick liner, ceramic fiber round oak log set, and flex gas line with shut-off valve. Piezo ignition and adjustable flame control on millivolt models only.

See-Thru

Vantage Hearth's *See-Thru* allows you to enjoy the beauty of the same fireplace from two rooms. This unit is ideal for either new construction or an addition to an existing wall.

The 36" *See-Thru* features the tool-less entry hinged glass door design and comes standard with full refractory brick liner, ceramic fiber round oak log set and flex gas line with shut-off valve. Piezo ignition and adjustable flame control on millivolt models only.



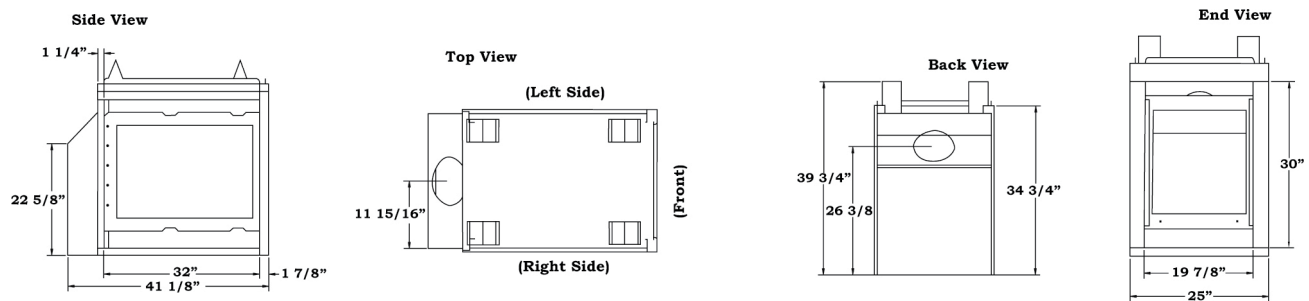
Fireplaces

Indoor Direct Vent Gas Fireplaces

Multi-View Series Direct Vent Gas Fireplaces (Corner, Peninsula & See-Thru)					
MODEL #	DESCRIPTION	CONTROL	BTU CAPACITY	FUEL	WEIGHT
Corner					
VDVF36TCR	36" Right Corner Fireplace with log set, grate, firescreens & white refractory brick panels	Millivolt	23,300 to 35,000	Natural	265.0 lbs.
VDVF36TCRP	36" Right Corner Fireplace with log set, grate, firescreens & white refractory brick panels	Millivolt	21,500 to 31,500	Propane	265.0 lbs.
VDVF36TCL	36" Left Corner Fireplace with log set, grate, firescreens & white refractory brick panels	Millivolt	23,300 to 35,000	Natural	265.0 lbs.
VDVF36TCLP	36" Left Corner Fireplace with log set, grate, firescreens & white refractory brick panels	Millivolt	21,500 to 31,500	Propane	265.0 lbs.
VDVF36TCRE	36" Right Corner Fireplace with log set, grate, firescreens & white refractory brick panels	Electronic Ignition	23,300 to 35,000	Natural	265.0 lbs.
VDVF36TCRPE	36" Right Corner Fireplace with log set, grate, firescreens & white refractory brick panels	Electronic Ignition	21,500 to 31,500	Propane	265.0 lbs.
VDVF36TCLE	36" Left Corner Fireplace with log set, grate, firescreens & white refractory brick panels	Electronic Ignition	23,300 to 35,000	Natural	265.0 lbs.
VDVF36TCLPE	36" Left Corner Fireplace with log set, grate, firescreens & white refractory brick panels	Electronic Ignition	21,500 to 31,500	Propane	265.0 lbs.
Peninsula					
VDVF36TSTA-A	36" Fireplace with log set, grate, firescreens & white refractory brick panels	Millivolt	23,300 to 35,000	Natural	265.0 lbs.
VDVF36STPA-A	36" Fireplace with log set, grate, firescreens & white refractory brick panels	Millivolt	21,500 to 31,500	Propane	265.0 lbs.
VDVF36STEA-A	36" Fireplace with log set, grate, firescreens & white refractory brick panels	Electronic Ignition	23,300 to 35,000	Natural	265.0 lbs.
VDVF36STPEA-A	36" Fireplace with log set, grate, firescreens & white refractory brick panels	Electronic Ignition	21,500 to 31,500	Propane	265.0 lbs.
See-Thru					
VDVF36TSTA-A	36" Fireplace with log set, grate, firescreens & white refractory brick panels	Millivolt	23,300 to 35,000	Natural	265.0 lbs.
VDVF36STPA-A	36" Fireplace with log set, grate, firescreens & white refractory brick panels	Millivolt	21,500 to 31,500	Propane	265.0 lbs.
VDVF36STEA-A	36" Fireplace with log set, grate, firescreens & white refractory brick panels	Electronic Ignition	23,300 to 35,000	Natural	265.0 lbs.
VDVF36STPEA-A	36" Fireplace with log set, grate, firescreens & white refractory brick panels	Electronic Ignition	21,500 to 31,500	Propane	265.0 lbs.

Uses standard 5"/8" direct vent pipe. Accessories on page 12.

Fireplace Dimensions



Note: All measurements are in inches. Dimensions in this catalog are approximate. For accurate dimensions, refer to the installation instructions.





Accessories for Traditional Series Fireplaces		
MODEL #	DESCRIPTION	WEIGHT
Remote Controls		
MRC	Receiver and Hand-Held On/Off Remote Control Kit	1.0 lb.
TRC	Receiver and Hand-Held T-Stat Remote Control Kit	1.0 lb.
WRC	Remote Control Kit for Electronic Ign.	1.0 lb.
GWMT1	Wall Mount Thermostatic Control Kit	1.0 lb.
GWMS2	Wall Mount On/Off Switch Kit	1.0 lb.
MRCN	Multi-Function Remote Control - Natural Gas	3.0 lbs.
MRCP	Multi-Function Remote Control - LP Gas	3.0 lbs.
Fan Kits		
BK	Variable Speed Blower with Manual Control	5.0 lbs.
BKT	Variable Speed Blower with Thermostatic Control	5.0 lbs.
Panel Kits (Not for VCD models)		
RLD32	32" Rolled Louver Panels - Black	7.0 lbs.
FPD32	32" Filigree Panel Kit - Black	6.0 lbs.
FPD32B	32" Filigree Panel Kit - Brushed Brass	6.0 lbs.
FPD32P	32" Filigree Panel Kit - Platinum	6.0 lbs.
RLD36	36" Rolled Louver Panels - Black	9.0 lbs.
FPD36	36" Filigree Panel Kit - Black	6.0 lbs.
FPD36B	36" Filigree Panel Kit - Brushed Brass	6.0 lbs.
FPD36P	36" Filigree Panel Kit - Platinum	6.0 lbs.
RLD42	42" Rolled Louver Panels - Black	11.0 lbs.
FPD42	42" Filigree Panel Kit - Black	6.0 lbs.
FPD42B	42" Filigree Panel Kit - Brushed Brass	6.0 lbs.
FPD42P	42" Filigree Panel Kit - Platinum	6.0 lbs.
Louver Trim Kits (Fits Rolled Louvers Only, Requires Rolled Louver Panel Kit Above)		
LT32B	32" 4-pc. Rolled Louver Trim Kit - Brushed Brass	2.0 lbs.
LT32P	32" 4-pc. Rolled Louver Trim Kit - Platinum	2.0 lbs.
LT36B	36" 4-pc. Rolled Louver Trim Kit - Brushed Brass	3.0 lbs.
LT36P	36" 4-pc. Rolled Louver Trim Kit - Platinum	3.0 lbs.
LT42B	42" 4-pc. Rolled Louver Trim Kit - Brushed Brass	4.0 lbs.
LT42P	42" 4-pc. Rolled Louver Trim Kit - Platinum	4.0 lbs.
Liner Kits (Not for VCD models)		
BLX36STL	36" LedgeStone Liner Kit - Tan	.0 lbs.
BLX42STL	42" LedgeStone Liner Kit - Tan	.0 lbs.
BLX36SVF	36" Vintage Fiber Liner Kit	.0 lbs.
BLX42SVF	42" Vintage Fiber Liner Kit	.0 lbs.
PLX36	36" Black Porcelain Reflective Liner Kit	.0 lbs.
PLX42	42" Black Porcelain Reflective Liner Kit	.0 lbs.
Liner Kits (For VCD models)		
BLW36SVF	36" Vintage Fiber Liner Kit	.0 lbs.

Accessories for Luxury Series Stratos Standard Fireplaces		
MODEL #	DESCRIPTION	WEIGHT
Perimeter Brick Surround		
VPBS36	36" Refractory Brick Perimeter Trim Kit - White	18.0 lbs.
VPBS42	42" Refractory Brick Perimeter Trim Kit - White	20.0 lbs.
Liner Kits		
BLY36STL	36" LedgeStone Liner Kit - Tan	.0 lbs.
BLY42STL	42" LedgeStone Liner Kit - Tan	.0 lbs.
Fuel Conversion Kits		
PCD-36S	Natural Gas to Propane Conversion Kit	1.0 lb.
NCD-36S	Propane to Natural Gas Conversion Kit	1.0 lb.
PCD-42S	Natural Gas to Propane Conversion Kit	1.0 lb.
NCD-42S	Propane to Natural Gas Conversion Kit	1.0 lb.
Accessories for Luxury Series Performance Fireplaces		
MODEL #	DESCRIPTION	WEIGHT
Perimeter Brick Surround		
PBS36D	36" Refractory Brick Perimeter Trim Kit - Ivory	21.0 lbs.
PBS42D	42" Refractory Brick Perimeter Trim Kit - Ivory	25.0 lbs.
PBS36	36" Refractory Brick Perimeter Trim Kit - Warm Red	21.0 lbs.
PBS42	42" Refractory Brick Perimeter Trim Kit - Warm Red	25.0 lbs.
Liner Kits		
BLY36STL	36" LedgeStone Liner Kit - Tan	.0 lbs.
BLY42STL	42" LedgeStone Liner Kit - Tan	.0 lbs.
Fuel Conversion Kits		
PCDE-36D	Natural Gas to Propane Conversion Kit	1.0 lb.
NCDE-36D	Propane to Natural Gas Conversion Kit	1.0 lb.
PCDE-42D	Natural Gas to Propane Conversion Kit	1.0 lb.
NCDE-42D	Propane to Natural Gas Conversion Kit	1.0 lb.
Accessories for Luxury Series Rumford Premium Fireplaces		
MODEL #	DESCRIPTION	WEIGHT
Fuel Conversion Kits		
PCDE-36CII	Natural Gas to Propane Conversion Kit	1.0 lb.
NCDE-36CII	Propane to Natural Gas Conversion Kit	1.0 lb.
Air Kits		
AK6-37	37" (Extended) Aluminum Flex & Vent Hood	1.0 lb.
AK6-75	75" (Extended) Aluminum Flex & Vent Hood	2.2 lbs.
CAK-58	Cold Air Kit	1.8 lbs.
Accessories for Multi-View Series Fireplaces (Corner, Peninsula & See-Thru)		
MODEL #	DESCRIPTION	WEIGHT
Louver Kits		
FLP36	36" 1 Side Louver Kit - Brass	1.0 lb.
FLP36E	36" 1 End Peninsula Louver Kit - Brass	1.0 lb.
Fuel Conversion Kits		
PC-DVF36TPSTNA	Natural Gas to Propane Conversion Kit (not for Electronic Ignition)	1.0 lb.
NC-DVF36TPSTPA	Propane to Natural Gas Conversion Kit (not for Electronic Ignition)	1.0 lb.
Fan Kits		
DVFFBK	Variable Speed Blower with Manual Control	5.0 lbs.



Black Reflective Porcelain Liners



Vintage Fiber Liners



Look For Us Online:
www.fmiproducts.com

IMPORTANT

Installation must be done by qualified service persons. Read Owner's Manual before using. Check local codes and ordinances for permitted uses.	We reserve the right to amend product specifications without notice. For warranty information please consult the owner's manual.
--	--